

VSE 系列角行程电动执行器 VSE Series Quarter Turn Electric Actuator



VSE 标准型电动执行器
VSE Standard type



VSE 调节型电动执行器
VSE modulating controller

技术参数 - Technical Data

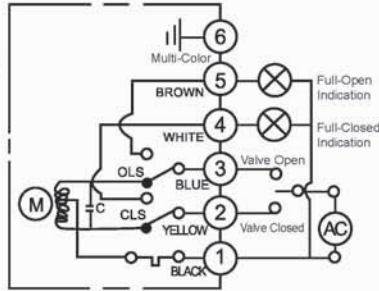
型号 Model	VSE-03	VSE-05	VSE-10	VSE-20	VSE-40	VSE-60	VSE-100	VSE-160	VSE-200	
输出扭矩 Output Torque -(Nm)	30	50	100	200	400	600	1000	1600	2000	
开关速度 Operational Speed (Sec.) @ 0-90°/50Hz	10	20 / 60	30 / 60	30 / 60	30 / 60	45	30	48	60	
最大行程角度 Operational Angle(Max.)	0-360°	0-360°	0-360°	0-90°	0-90°	0-90°	0-90°	0-90°	0-90°	
电机功率 Power - (Watts)	DC motor	13	13	25	35	70	70	-----	-----	-----
	AC motor	10	10	25	40	90	90	120	140	140
额定电流 Rated Current - (A)	24VDC	1.28	1.28	2.03	3.57	5.13	6.04	-----	-----	-----
	110VAC	0.24	0.24	0.57	0.65	1.12	1.18	1.93	1.75	1.75
	220VAC	0.16	0.16	0.35	0.37	0.57	0.60	0.94	0.96	0.98
	380VAC	-----	-----	0.10	0.15	0.29	0.29	0.44	0.46	0.48
额定余量 Duty Rating	30%	30%	30%	30%	30%	30%	30%	30%	30%	
重量 Weight - (Kg)	2.0	2.0	3.0	8.0	8.5	9.0	17.0	17.5	18.0	
电源 Power Supply	1 Phase: 110/220VAC±10% @ 50/60Hz, 3 Phase/ 380VAC±10% @ 50/60Hz, 12VDC, 24 VDC 单相: 110/ 220VAC±10% @ 50/60Hz,三相/ 380VAC±10% @ 50/60Hz, 直流: 12VDC, 24 VDC									
过热保护 Thermal Protector	Standard accessory; built-in, auto-reset type 标准配件: 内建, 自动覆归									
绝缘电阻 Insulation Resistance	24VDC:100MΩ @ 250VDC, 110/220/380VAC:100MΩ @ 500VDC,									
耐压等级 Withstand Voltage	24VDC: 550VAC @ 1Min. , 110/220VAC: 1500VAC @ 1Min. , 380VAC:1800VAC @ 1Min.									
防护等级 Enclosure Rating	IP68									
周围温度 Ambient Temperature	- 30 ~ +60℃									
安装方位 Mounting Direction	All directions 任意角度安装									
电气接口 Electrical Conduit	G1/2" with cable gland for standard type(2xG1/2" with cable gland for modulating type) G1/2"防水电缆接头,标准型(两只G1/2"防水电缆接头,调节型)									
手动操作 Manual Operation	Detachable crank handle(standard accessory) 标准配件:可分离式曲柄									
定位方式 Stopper	In operation: limit switches at full & closed position.Manual operation: mechanical stopper 自动方式:限位开关于全开及全关位置,手动方式:定位模块									
本体材质 Housing Material	Die-casting aluminum alloy 压铸铝合金									
选项功能 Various Options	1.Type A: standard type 标准型									
	2.Type B: additional limit switches(2units) 两只独立限位开关									
	3.Type C: potentiometer unit(1KΩ or 500Ω) 带电位器(1KΩ 或 500Ω)									
	4.Type D: potentiometer unit(1KΩ or 500Ω) with additional limit switches(2units) 带电位器(1KΩ 或 500Ω)及两只独立限位开关									
	5.Type E: modulating controller(input signal : 4-20mA or 1-5VDC, output signal: 4-20mA) 调节型(伺服控制器 -输入信号: 4-20mA或1-5VDC,输出信号: 4-20mA)									
	6.Type F: current position transmitter(output signal : 4-20mA) 位置发送器(输出信号: 4-20mA)									
	7.Space heater 除湿加热器									
	8.Torque switches(2units) 两只扭矩开关									
	9.Various voltages(110/220/380VAC & 24VDC, the other voltage is available upon request) 不同电压选项(110/220/380VAC & 24VDC,其他电压可接受订购)									
	10.Various mounting brackets 不同安装支架									

Type A: With Limit Switch (Standard Type) - 标准型

Function:

The opening & closing operation is controlled by the external control circuit. Output signal comes from the power line at open and closed positions of valve.

功能:
通过外部开关电路实现开启,关闭操作,并输出一组有源位置信号(全开,全闭)

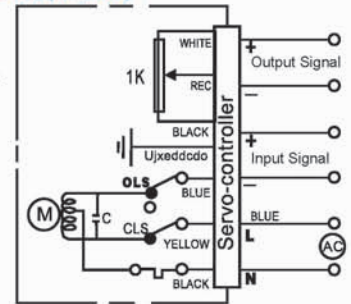


Type E: With Modulating Servo Module (Modulating Type) - 伺服控制器(调节型)

Function:

Modulating Type, input signal: 4~20mADC or 1~5VDC; output signal: 4~20mADC.

功能:
调节型, 输入讯号:4-20mADC 或 1-5VDC,输出讯号:4-20mADC.

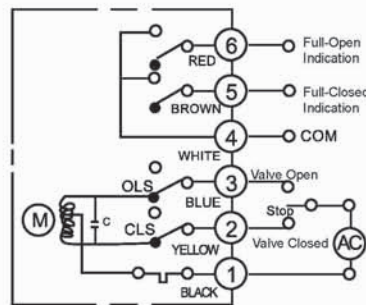


Type B: With Additional Switches - 两只独立位置开关

Function:

The opening and closing operation is controlled by the external control circuit having 1 NO (normally open) & 1 NC (normally closed) output switches.

功能:
通过外部开关电路实现开启,关闭操作,并输出一组无源位置信号(全开,全闭)

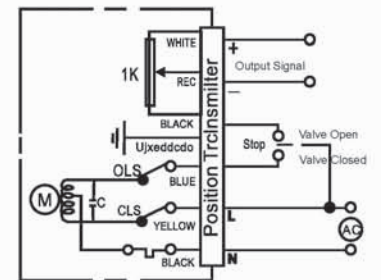


Type F: With R/I Converter - 带位置发送器

Function:

The output signal 4-20mADC is relative to the valve position.

功能:
输出 4-20mADC 阀门位置信号

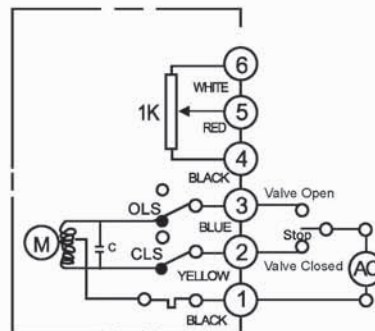


Type C: With Potentiometer - 带电位器

Function:

The valve opening position is controlled by the external control circuit. The output: 500Ω or 1000Ω potentiometer is relative to the valve position.

功能:
通过外部开关电路控制阀门开启角度并输出与开度位置相对应的电阻信号

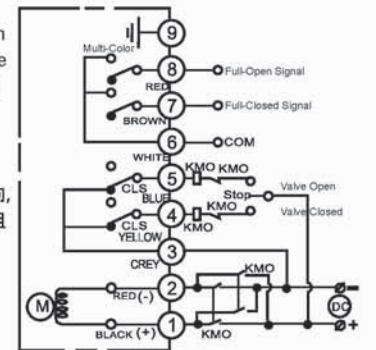


DC Motor With Intermediate Position Switch - 直流控制电路

Function:

By means of polarity exchange from the external control circuit to change the rotation. The output signal: 1 NO (normally open) & 1 NC (normally closed) output switch.

功能:
通过外部电路对直流电源正负极换向,实现阀门开启、关闭操作并输出一组无源触点(全开、全闭)信号。



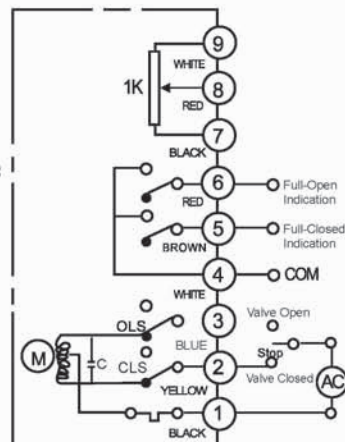
Type D: With Potentiometer and Additional Switches

带电位器及两只独立位置开关

Function:

The valve opening position is controlled by the external control circuit. The output: 1 NO (normally open) & 1 NC (normally closed) output switch with 500Ω or 1000Ω potentiometer.

功能:
通过外部开关电路控制阀门开启角度并输出与开度位置相对应的电阻信号及一组无源位置信号(全开,全闭)



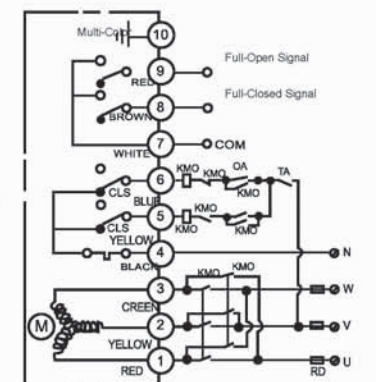
3-Phase, 380 VAC Control Circuit for AC Motor

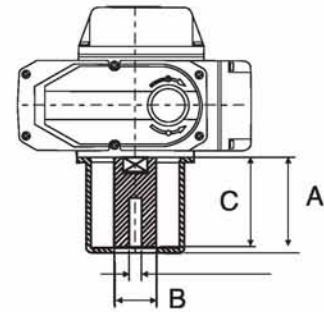
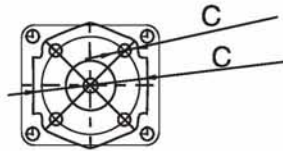
交流380V控制电路

Function:

By means of the external phase reversing circuit to change the rotation. The output signal: 1 NO (normally open) & 1 NC (normally closed) output switch.

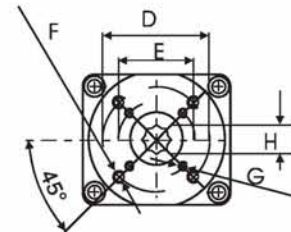
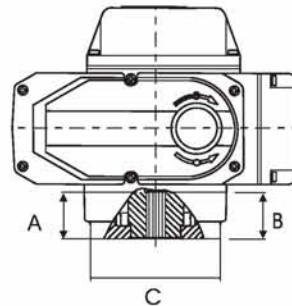
功能:
通过外部换相电路,使电机正反转实现开启、关闭操作并输出一组无源触点(全开、全闭)信号。





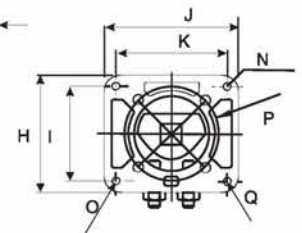
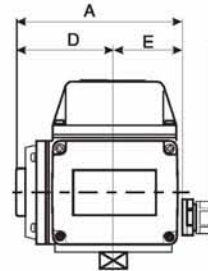
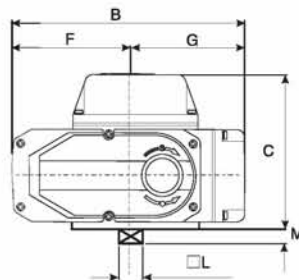
Actuator+Mounting Bracket+Coupling (支架+连接杆)

型号 Model	A	B	C
VSE-03/05	60	28	配合阀门安装尺寸 follow valve's dimension
VSE-10	80	35	
VSE-20	80	48	
VSE-40/60	100	48	
VSE-100/160	80	65	
VSE-200	100	65	



Actuator + ISO-5211 Mounting Bracket (ISO5211 标准连接)

型号 Model	A	B	C	D	E	F	G	◇H
VSE-03/05	19	22	70	50	36	4-M6	4-M5	9 / 11 / 14
VSE-10	33	36	90	70	50	4-M8	4-M6	9 / 11 / 14
VSE-20	45	48	125	102	70	4-M10	4-M8	14 / 17
VSE-40/60	45	48	125	102	70	4-M10	4-M8	17 / 22
VSE-100/160	47	50	135	125	102	4-M10	-	22 / 27
VSE-200	67	70	175	165	140	4-M16	-	36



Bare Shaft Actuator (光杆输出轴)

型号 Model	A	B	C	D	E	F	G	H	I	J	K	□L	M	N	O	P	Q
VSE-02/03/05	113	160	102.5	63	49	83	77	72	60	80	68	12	12	63	70	8-M6	4-M8
VSE-10	121	196	126	71	50	98	98	86	70	98	82	15	12	-	70	-	8-M8
VSE-20/40	158	255	148	95	63	121	134	106	84	135	118	23	23	-	-	4-M8	4-M10
VSE-60	158	255	148	95	63	121	134	106	84	135	118	25	23	-	-	4-M8	4-M10
VSE-100/160/200	207	310	162	120	87	148	162	140	116	160	136	30	26	-	-	4-M10	4-M12